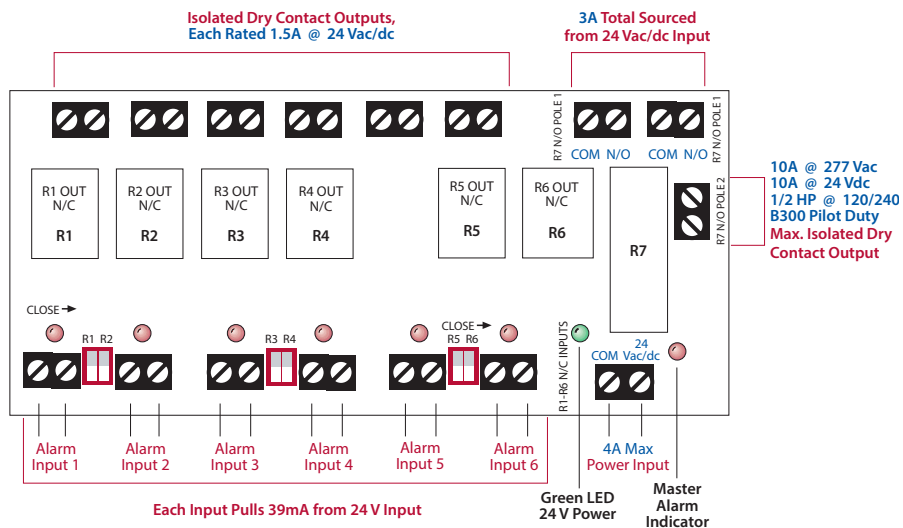


# RIB Functional Devices, Inc.™

Bulletin B863

393069E

- RIBMNLB-6
- RIBLB-6



**CAUTION: RISK OF ELECTRIC SHOCK - MORE THAN ONE DISCONNECT MAY BE REQUIRED TO DEENERGIZE THE DEVICE BEFORE SERVICING.**

FOR SUPPLY CONNECTIONS USE #14 AWG WIRES OR LARGER RATED FOR AT LEAST 75°C (167°F).

USE COPPER CONDUCTORS ONLY.

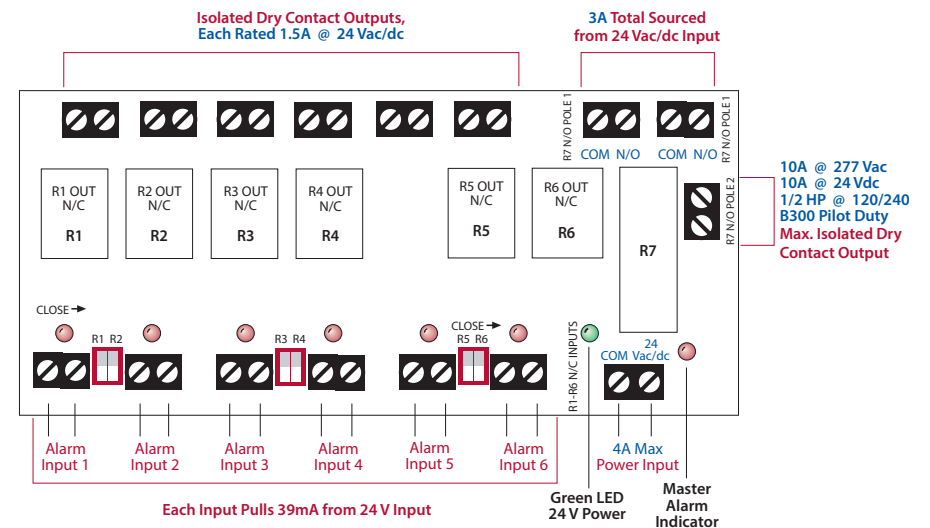
[www.functionaldevices.com](http://www.functionaldevices.com)

# RIB Functional Devices, Inc.™

Bulletin B863

393069E

- RIBMNLB-6
- RIBLB-6



**CAUTION: RISK OF ELECTRIC SHOCK - MORE THAN ONE DISCONNECT MAY BE REQUIRED TO DEENERGIZE THE DEVICE BEFORE SERVICING.**

FOR SUPPLY CONNECTIONS USE #14 AWG WIRES OR LARGER RATED FOR AT LEAST 75°C (167°F).

USE COPPER CONDUCTORS ONLY.

[www.functionaldevices.com](http://www.functionaldevices.com)